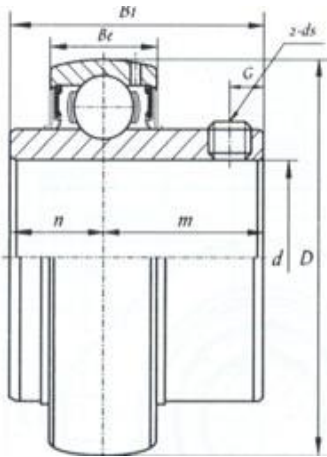


## UC200,UC300 Series



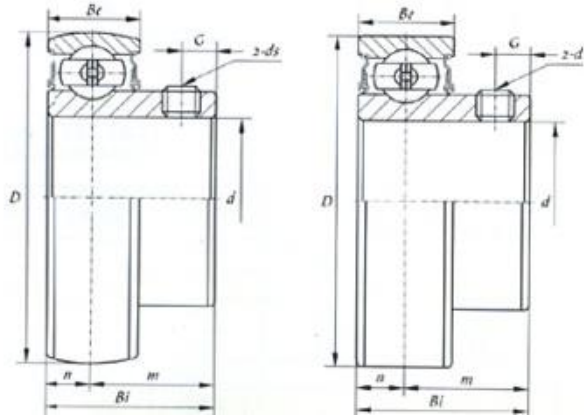
SR type seal



TRL type seal

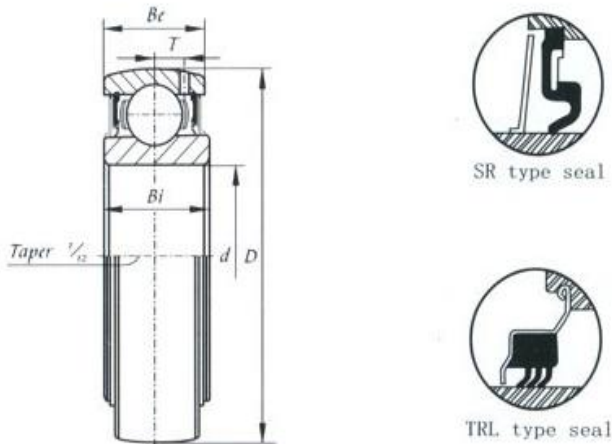
Bearing No.	Shaft Dia	Dimensions (mm)							Weight
	mm								(kg)
	d	D	$B_i$	$B_e$	n	m	G	ds	
UC202	15	40	27.4	14	11.5	15.9	4.5	M5x0.8	0.14
UC203	17	40	27.4	14	11.5	15.9	4.5	M5x0.8	0.13
UC204	20	47	31	17	12.3	18.7	5	M6x1.0	0.18
UC205	25	52	34.1	17	14.3	19.8	5	M6x1.0	0.22
UC206	30	62	38.1	19	15.9	22.2	5	M6x1.0	0.34
UC207	35	72	42.9	20	17.5	25.4	7	M8x1.0	0.52
UC208	40	80	49.2	21	19	30.2	8	M8x1.0	0.68
UC209	45	85	49.2	22	19	30.2	8	M8x1.0	0.78
UC210	50	90	51.6	22	19	32.6	10	M10x1.25	0.85
UC211	55	100	55.6	25	22.2	33.4	10	M10x1.25	1.22
UC212	60	110	65.1	27	25.4	39.7	10	M10x1.25	1.65
UC213	65	120	65.1	29	25.4	39.7	10	M10x1.25	1.96
UC214	70	125	74.6	30	30.2	44.4	12	M12x1.5	2.06
UC215	75	130	77.8	30	33.3	44.5	12	M12x1.5	2.3
UC216	80	140	82.6	33	33.3	49.3	12	M12x1.5	2.79
UC217	85	150	85.7	35	34.1	51.6	12	M12x1.5	3.59
UC218	90	160	96	37	39.7	56.3	12	M12x1.5	4.56
UC305	25	62	38	20	15	23	6	M6x1.0	0.35
UC306	30	72	43	23	17	26	6	M8x1.0	0.56
UC307	35	80	48	25	19	29	8	M8x1.0	0.71
UC308	40	90	52	27	19	33	10	M10x1.25	1
UC309	45	100	57	29	22	35	10	M10x1.25	1.36
UC310	50	110	61	32	22	39	12	M12x1.50	1.65
UC311	55	120	66	34	25	41	12	M12x1.50	2.08
UC312	60	130	71	36	26	45	12	M12x1.50	2.6
UC313	65	140	75	38	30	45	12	M12x1.50	3.24
UC314	70	150	78	40	33	45	12	M12x1.50	3.91
UC315	75	160	82	42	32	50	14	M14x1.50	4.7
UC316	80	170	86	44	34	52	16	M16x1.50	5.06
UC317	85	180	96	46	40	56	16	M16x1.50	6.9
UC318	90	190	96	48	40	56	16	M16x1.50	8.03
UC319	95	200	103	50	41	62	16	M16x1.50	8.91
UC320	100	215	108	54	42	66	18	M18x1.50	11.2

## SB200 Series



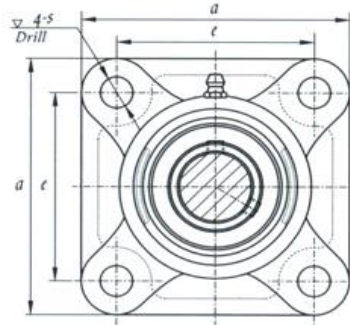
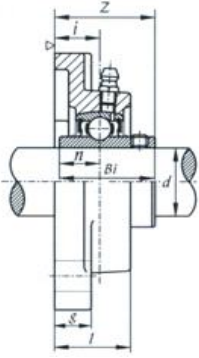
Bearing No.	Shaft Dia	Dimensions (mm)							Weight
	mm								(kg)
	d	D	Bi	Be	n	m	G	ds	
SB203	17	40	22	12	6	16	4.5	M5×0.8	0.07
SB204	20	47	25	14	7	18	5	M6×1.0	0.13
SB205	25	52	27	15	7.5	19.5	5	M6×1.0	0.18
SB206	30	62	30	16	8	22	6	M6×1.0	0.26
SB207	35	72	32	17	8.5	23.5	7	M6×1.0	0.43
SB208	40	80	34	18	9	25	8	M6×1.0	0.6

## UK200 Series



Bearing No.	Shaft Dia	Dimensions (mm)						Weight
	mm							(kg)
	d	D	Bi	Be	n	m		
UK205	20	25	52	17	23	35	0.24	
UK206	25	30	62	19	26	38	0.4	
UK207	30	35	72	20	28	43	0.55	
UK208	35	40	80	21	29	46	0.72	
UK209	40	45	85	22	30	50	0.8	
UK210	45	50	90	22	32	55	0.93	
UK211	50	55	100	25	36	59	1.91	
UK212	55	60	110	27	38	62	1.52	
UK213	60	65	120	29	40	65	1.91	
UK215	65	75	130	30	43	73	2.56	
UK216	70	80	140	33	46	78	3.23	
UK217	75	85	150	35	48	82	3.93	
UK218	80	90	160	37	50	86	4.75	

## UCF200 Series



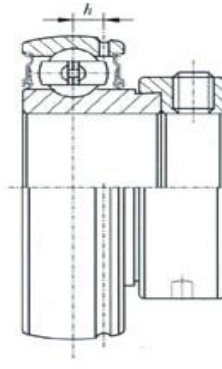
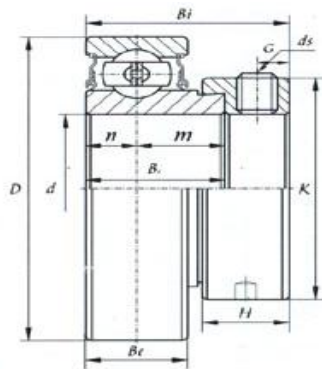
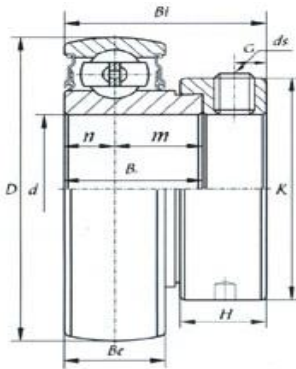
SR type seal



TRL type seal

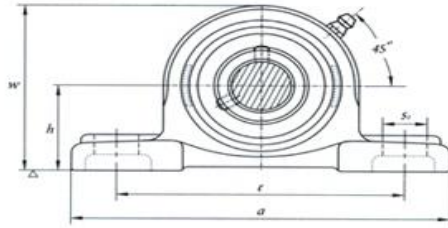
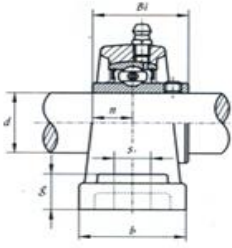
Bearing Unit No.	Shaft Dia	Dimensions (mm)									Weight
	mm	d	a	e	i	g	l	z	s	n	Bi
UCF202	15	86	64	15	11	25.5	30.9	12	11.5	27.4	0.56
UCF203	17	86	64	15	11	25.5	30.9	12	11.5	27.4	0.54
UCF 204	20	86	64	15	11	25.5	33.7	12	12.3	31	0.61
UCF205	25	95	70	16	13	27	35.8	12	14.3	34.1	0.8
UCF206	30	108	83	18	13	31	40.2	12	15.9	38.1	1.11
UCF207	35	117	92	19	15	34	44.4	14	17.5	42.9	1.66
UCF208	40	130	102	21	15	36	51.2	16	19	49.2	1.93
UC209	45	137	105	22	16	38	52.2	16	19	49.2	2.28
UCF210	50	143	111	22	16	40	54.6	16	19	51.6	2.57
UCF211	55	162	130	25	18	43	58.4	19	22.2	55.6	3.98
UCF212	60	175	143	29	18	48	68.7	19	25.4	65.1	4.3
UCF213	65	187	149	30	22	50	69.7	19	25.4	65.1	5.49
UCF214	70	193	152	31	22	54	75.4	19	330.2	74.6	6.47
UCF215	75	200	159	34	22	56	78.5	19	33.3	77.8	6.54
UCF216	80	208	165	34	22	58	83.3	23	33.3	82.6	7.86
UCF217	85	220	175	36	24	63	87.6	23	34.1	85.7	9.77
UCF218	90	235	187	40	24	68	96.3	23	39.7	96	11.72

## SA200 Series



Bearing No.	Shaft Dia	Dimensions (mm)									Weight
	mm	d	D	Be	l	Bi	n	d1	H	G	ds
SA203	17	40	13	28.6	19.1	6.5	28.6	13.5	5	M6×1.0	0.12
SA204	20	47	15	31	21.5	7.5	33.3	13.5	5	M6×1.0	0.13
SA205	25	52	15	31	21.5	7.5	38.1	13.5	5	M6×1.0	0.21
SA206	30	62	18	35.7	23.8	9	44.5	15.9	6	M6×1.0	0.33
SA207	35	72	19	38.9	25.4	9.5	55	17.5	6.5	M8×1.0	0.56
SA208	40	80	22	43.7	30.2	11	60.3	18.3	6.5	M8×1.0	0.69

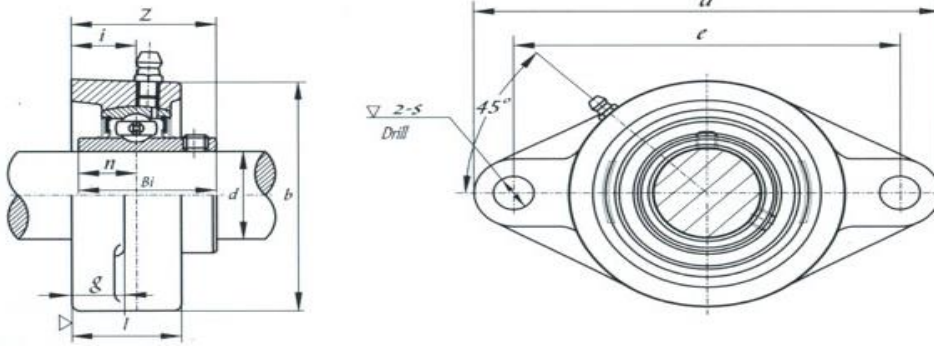
## UCP200. UCPA200 Series



Bearing Unit No.	Shaft Dia	Dimensions (mm)										Weight
	mm											(kg)
	d	h	a	e	b	S1	S2	g	w	n	Bi	
UCP202	15	30.2	127	95	38	13	19	14	62	11.5	27.4	0.63
UCP203	17	30.2	127	95	38	13	19	14	62	11.5	27.4	0.6
UCP204	20	33.3	127	95	38	13	19	14	65	12.3	31	0.66
UCP205	25	36.5	140	105	38	13	19	15	71	14.3	34.1	0.8
UCP206	30	42.9	165	121	48	17	21	17	83	15.9	38.1	1.3
UCP207	35	47.6	167	127	48	17	21	18	93	17.5	42.9	1.6
UCP208	40	49.2	184	137	54	17	21	18	98	19	49.2	1.83
UCP209	45	54	190	146	54	17	21	20	106	19	49.2	2.18
UCP210	50	57.2	206	159	60	20	25	21	114	19	51.6	2.68
UCP211	55	63.5	219	171	60	20	25	23	126	22.2	55.6	3.27
UCP212	60	69.8	241	184	70	20	25	25	138	25.4	65.1	4.52
UCP213	65	76.2	265	203	70	25	29	27	151	25.4	65.1	5.7
UCP214	70	79.4	266	210	72	25	31	27	157	30.2	74.6	6.66
UCP215	75	82.6	275	217	74	25	31	28	163	33.3	77.8	7.4
UCP216	80	88.9	292	232	78	25	31	30	175	33.3	82.6	9
UCP217	85	95.2	310	247	83	25	31	32	187	34.1	85.7	11
UCP218	90	101.6	327	262	88	27	33	33	200	39.7	96	13

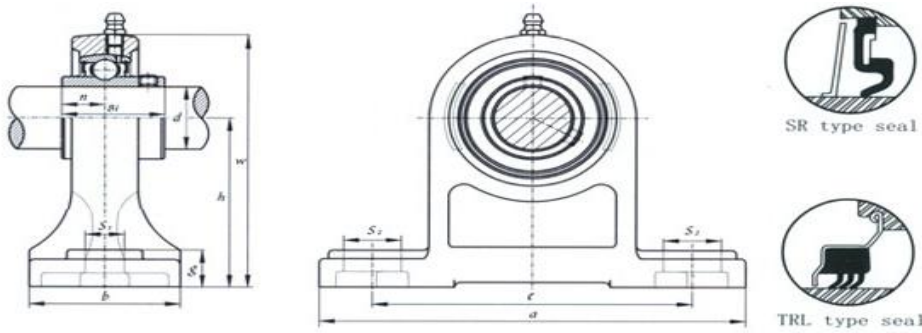
Bearing Unit No.	Shaft Dia	Dimensions (mm)										Weight
	mm											(kg)
	d	h	a	e	b	g	w	t	r	n	Bi	
UCPA203	17	30.2	76	52	38	11	62	12	M10x1.5	11.5	27.4	0.63
UCPA204	20	33.3	76	52	38	11	62	12	M10x1.5	12.3	31	0.66
UCPA205	25	36.5	84	56	38	12	72	15	M10x1.5	14.3	34.1	0.89
UCPA206	30	42.9	94	66	48	12	84	18	M14x2.0	15.9	38.1	1.31
UCPA207	35	47.6	110	80	48	13	95	20	M14x2.0	17.5	42.9	1.71
UCPA208	40	49.2	116	84	54	13	100	20	M14x2.0	19	49.2	2.18
UCPA209	45	54	120	90	54	13	108	25	M14x2.0	19	49.2	2.28
UCPA210	50	57.2	130	94	60	14	116	25	M16x2.0	19	51.6	2.98

## UCFL200 Series



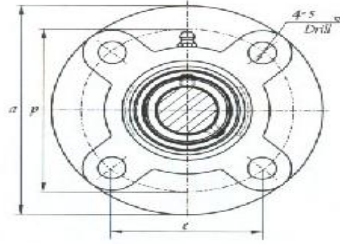
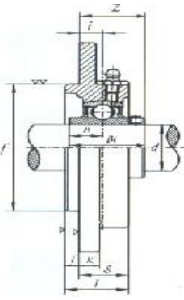
Bearing Unit	Shaft Dia	Dimensions (mm)										Weight
	mm											(kg)
	d	a	e	b	i	g	l	z	s	n	Bi	
UCFL202	15	113	90	60	15	12	25.5	30.9	12	11.5	27.4	0.42
UCFL203	17	113	90	60	15	12	25.5	30.3	12	11.5	27.4	0.41
UCFL204	20	113	90	60	15	12	25.5	33.7	12	12.3	31	0.48
UCFL205	25	130	99	68	16	14	27	35.8	16	14.3	34.1	0.6
UCFL206	30	148	117	80	18	14	31	40.2	16	15.9	38.1	0.98
UCFL207	35	161	130	90	19	16	34	44.4	16	17.5	42.9	1.31
UCFL208	40	175	144	100	21	16	36	51.2	16	19	49.2	1.53
UCFL209	45	188	148	108	22	18	38	52.2	19	19	49.2	1.68
UCFL210	50	197	157	115	22	18	40	54.6	19	19	51.6	1.88
UCFL211	55	224	184	130	25	20	43	58.4	19	22.2	55.6	3.1
UCFL212	60	250	202	140	29	20	48	68.7	23	25.4	65.1	4
UCFL213	65	258	210	155	30	24	50	69.7	23	25.4	65.1	5
UCFL214	70	265	216	160	31	24	54	75.4	23	30.2	74.6	5.6
UCFL215	75	275	225	165	34	24	56	78.5	23	33.3	77.8	6.2
UCFL216	80	290	233	180	34	24	58	83.3	25	33.3	82.6	8.2
UCFL217	85	305	248	190	36	26	63	87.6	25	34.1	85.7	9.26
UCFL218	90	320	265	205	40	26	68	96.3	25	39.7	96	11.73

## UCPH200 Series



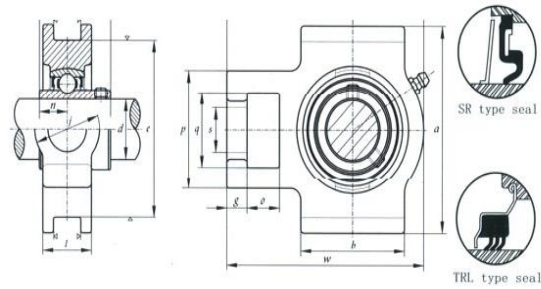
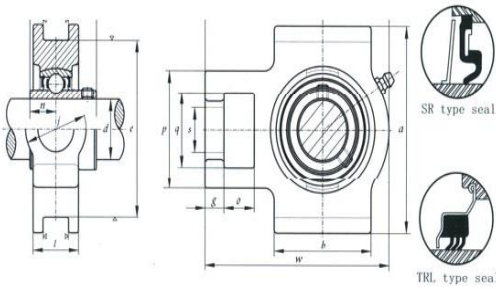
Bearing Unit No.	Shaft Dia	Dimensions (mm)										Weight
	mm											(kg)
	d	h	a	e	b	S1	S2	g	w	n	Bi	
UCPH202	15	70	127	95	40	13	19	15	101	11.5	27.4	0.92
UCPH203	17	70	127	95	40	13	19	15	101	11.5	27.4	0.91
UCPH204	20	70	127	95	40	13	19	15	101	12.3	31	0.96
UCPH205	25	80	140	105	50	13	19	16	114	14.3	34.1	1.2
UCPH206	30	90	165	121	50	17	21	18	130	15.9	38.1	1.6
UCPH207	35	95	167	127	60	17	21	19	140	17.5	42.9	2.1
UCPH208	40	100	184	137	70	17	25	19	149	19	49.2	2.7
UCPH209	45	105	190	146	70	17	25	20	157	19	49.2	3.1
UCPH210	50	110	206	159	70	20	25	22	165	19	51.6	3.5

### UCFC200 Series



Bearing Unit	Shaft Dia		Dimensions (mm)											Weight	
	mm													(kg)	
	d	a	p	i	g	j	k	s	e	f	z	n	Bi		
UCFC202	15	100	78	10	20.5	5	7	12	55.1	62	25.9	11.5	27.4	0.77	
UCFC203	17	100	78	10	20.5	5	7	12	55.1	62	25.9	11.5	27.4	0.76	
UCFC204	20	100	78	10	20.5	5	7	12	55.1	62	28.7	12.3	31	0.81	
UCFC205	25	115	90	10	21	6	7	12	63.6	70	29.8	14.3	34.1	1.09	
UCFC206	30	125	100	10	23	8	8	12	70.7	80	32.2	15.9	38.1	1.51	
UCFC207	35	135	110	11	26	8	9	14	77.8	90	36.4	17.5	42.9	1.98	
UCFC208	40	145	120	11	26	10	9	14	84.8	100	41.2	19	49.2	2.32	
UCFC209	45	160	132	10	26	12	14	16	93.3	105	4.02	19	49.2	3.07	
UCFC210	50	165	138	10	28	12	14	16	97.6	110	42.6	19	51.6	3.28	
UCFC211	55	185	150	13	31	12	15	19	106.1	125	46.4	22.2	55.6	4.2	
UCFC212	60	195	160	17	36	12	15	19	113.1	135	56.7	25.4	65.1	5.45	
UCFC213	65	205	170	16	36	14	15	19	120.2	145	55.7	11.5	65.1	5.91	
UCFC214	70	215	177	17	40	14	18	19	125.1	150	61.4	11.5	74.6	7.26	
UCFC215	75	220	184	18	40	16	18	19	130.1	160	62.5	11.5	77.8	8.02	
UCFC216	80	240	200	18	42	16	18	23	141.4	170	67.3	12.3	82.6	9.92	
UCFC217	85	250	208	18	45	18	20	23	147.1	180	69.6	33.3	87.5	11.58	
UCFC218	90	265	220	22	50	18	20	23	155.5	190	78.3	39.7	96	13.74	

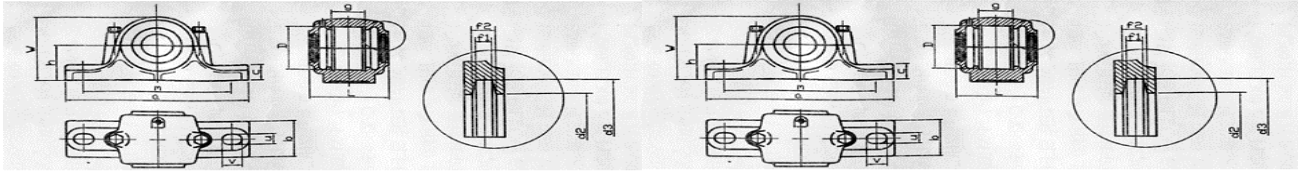
### UCT200 Series



Bearing Unit	Shaft Dia		Dimensions (mm)													Weight	
	mm															(kg)	
	d	o	g	s	p	q	b	k	e	a	w	j	i	h	n	Bi	
UCT202	15	16	10	51	32	19	51	12	76	89	94	32	21	61	11.5	27.4	0.78
UCT203	17	16	10	51	32	19	51	12	76	89	94	32	21	61	11.5	27.4	0.77
UCT 204	20	16	10	51	32	19	51	12	76	89	94	32	21	61	12.3	31	0.81
UCT205	25	16	10	51	32	19	51	12	76	89	97	32	24	62	14.3	34.1	0.92
UCT206	30	16	10	56	37	22	57	12	89	102	113	37	28	70	15.9	38.1	1.01
UCT207	35	16	13	64	37	22	64	12	89	102	129	37	30	78	17.5	42.9	1.7
UCT208	40	19	16	83	49	29	83	16	102	114	144	49	33	88	19	49.2	2.43
UCT209	45	19	16	83	49	29	83	16	102	117	144	49	35	87	19	49.2	2.58
UCT210	50	19	16	83	49	29	86	16	102	117	149	49	37	90	19	51.6	2.78
UCT211	55	25	19	102	64	35	95	22	130	146	171	61	38	106	22.2	55.6	4.17
UCT212	60	32	19	102	64	35	102	22	130	146	194	61	42	119	25.4	65.1	4.9
UCT213	65	32	21	111	70	41	121	26	151	167	224	70	44	137	11.5	27.4	7.3
UCT214	70	32	21	111	70	41	121	26	151	167	224	70	46	137	11.5	27.4	7.36
UCT215	75	32	21	111	70	41	121	26	151	167	232	70	48	140	11.5	27.4	7.99
UCT216	80	32	21	111	70	41	121	26	165	184	235	70	51	140	12.3	31	8.92
UCT217	85	38	29	124	73	48	157	30	173	198	260	73	54	162	14.3	34.1	11.46
UCT218	90	40	30	130	80	48	140	30	190	215	275	80	55	170	14.3	34.1	14.76



SN500, SN600 Series



Bearing No.	Dimensions													Weight kg	Applicable Bearing No.		Suitable for Tightening Sleeve		Number	QTY			
	D	A	B	C	G	H	L	W	M	U	V	d2	d3								f1	f2	
	H8				H12	H12						H12	H12								H13		
SN505	52	165	46	22	25	40	67	75	130	15	20	21.5	31	3	4.2	1.4	1250K 2250K	22205K	H205 HE205 H305 HE305	SR52x5 SR52x7	2 1		
SN506	62	185	52	22	30	50	77	90	150	15	20	26.5	38	4	5.4	1.9	1206K 2206K	22206K	H206 HE206 H306 HE306	SR62x7 SR62x10	2 1		
SN507	72	185	52	22	33	50	82	95	150	15	20	31.5	43	4	5.4	2	1207K 2207K	22207K	H207 HE207 H307 HE307	SR72x8 SR72x10	2 1		
SN508	80	205	60	25	33	60	85	110	170	15	20	36.5	48	4	5.4	3.2	1208K 2208K	22208K	H208 HE208 H308 HE308	SR80x7.5 SR80x10	2 1		
SN509	85	205	60	25	31	60	85	112	170	15	20	41.5	53	4	5.4	3	1209K 2209K	22209K	H209 HE209 H309 HE309	SR85x6 SR85x8	2 1		
SN510	90	205	60	25	33	60	90	115	170	15	20	46.5	58	4	5.4	3.4	1210K 2210K	22210K	H210 HE210 H310 HE310	SR90x6.5 SR90x10	2 1		
SN511	100	255	70	28	33	70	95	130	210	18	23	51.5	67	5	6.9	4.6	1211K 2211K	22211K	H211 HE211 H311 HE311	SR100x6 SR100x8	2 1		
SN512	110	255	70	30	38	70	105	135	210	18	23	56.5	72	5	6.9	5	1212K 2212K	22212K	H212 HE212 H312 HE312	SR110x8 SR110x10	2 1		
SN513	120	275	80	30	43	80	110	150	230	18	23	62	77	5	6.8	6.8	1213K 2213K	22213K	H213 HE213 H313 HE313	SR120x10 SR120x12	2 1		
SN515	130	280	80	30	41	80	115	155	230	18	23	67	82	5	6.8	7.4	1215K 2215K	22215K	H215 HE215 H315 HE315	SR130x8 SR130x10	2 1		
SN516	140	315	90	32	43	95	120	175	260	22	27	72	89	6	8.1	9.5	1216K 2216K	22216K	H216 HE216 H316 HE316	SR140x8.5 SR140x10	2 1		
SN517	150	320	90	32	46	95	125	185	260	22	27	77	94	6	8.1	10	1217K 2217K	22217K	H217 HE217 H317 HE317	SR150x9 SR150x10	2 1		
SN518	160	345	100	35	62.4	100	145	195	290	22	27	82	99	6	8.1	12.8	1218K 2218K	23218K	H218 HE218 H318 HE318	SR160x16.2 SR160x11.2	2 1		
SN519	170	345	100	35	53	112	140	210	290	22	27	87	104	6	8.1	15.4	1219K 2219K	22219K	H219 HE219 H319 HE319	SR170x10.5 SR170x10	2 1		
SN520	180	380	110	40	70.3	112	160	218	320	26	32	92	111	7	9.3	17.8	2220k	22220k	H320 HE320	SR180x12	2		
SN522	200	410	120	45	80	125	175	240	350	26	32	102	125	8	10.8	19	2222k	22222k	H322 HE322	SR200x13.5	2		
SN524	215	410	120	45	86	140	185	270	350	26	32	113	135	8	10.7	26		22224k	H324 HE324	SR215x14	2		
SN526	230	445	130	50	90	150	190	290	380	28	36	118	140	8	10.7	32		22226k	H326 HE326	SR230x13	2		
SN528	250	500	150	50	98	150	205	305	420	33	42	128	154	9	12.2	40		22228k	H328 HE328	SR250x15	2		
SN530	270	530	160	60	106	160	220	325	450	33	42	138	164	9	12.2	47.2		22230k	H330 HE330	SR270x16.5	2		
SN532	290	550	160	60	114	170	235	345	470	33	42	143	173	10	13.7	56.5		22232k	H332 HE332	SR290x17	2		
																			23232K	H2332 HE233	SR290x10	1	

Bearing No.	Dimensions													Weight kg	Applicable Bearing No.		Suitable for Tightening Sleeve		定位环尺寸及数量			
	D	a	b	c	g	h	L	W	m	w	v	d2	d3								f1	f2
	H8				h12	h12						H12	H12								H12	
SN605	62	185	52	22	24	50	80	90	150	15	20	21.5	31	3	4.2	2.1	1305 2305		H305 HE305 H2305 HE2305	SR62x8.5 SR62x10	2 1	
SN606	72	185	52	22	37	50	82	95	150	15	20	26.5	38	4	5.4	2.8	1306 2306		H306 HE306 H2306 HE2306	SR72x9 SR72x10	2 1	
SN607	80	205	60	25	41	60	90	110	170	15	20	31.5	43	4	5.4	3.5	1307 2307		H307 HE307 H2307 HE2307	SR80x10 SR80x10	2 1	
SN608	90	205	60	25	43	60	95	115	170	15	20	36.5	48	4	5.4	4.2	1308 2308	21308 23308	H308 HE308 H2308 HE2308	SR90x10 SR90x10	2 1	
SN609	100	255	70	28	46	70	105	130	210	18	23	41.5	53	4	5.4	5	1309 2309	21309 23309	H309 HE309 H2309 HE2309	SR100x10.5 SR100x10	2 1	
SN610	110	255	70	30	50	70	115	135	210	18	23	46.5	58	4	5.4	6.1	1310 2310	21310 23310	H310 HE310 H2310 HE2310	SR110x11.5 SR110x10	2 1	
SN611	120	275	80	30	53	80	120	150	230	18	23	51.5	67	5	6.9	6.5	1311 2311	21311 23311	H311 HE311 H2311 HE2311	SR120x12 SR120x10	2 1	
SN612	130	280	80	30	56	80	125	155	230	18	23	56.5	72	5	6.9	7.9	1312 2312	21312 23312	H312 HE312 H2312 HE2312	SR130x12.5 SR130x10	2 1	
SN613	140	315	90	32	58	95	130	175	260	22	27	62	77	5	6.8	10.8	1313 2313	21313 23313	H313 HE313 H2313 HE2313	SR140x12.5 SR140x10	2 1	
SN614	160	345	100	35	65	100	140	195	290	22	27	67	82	5	8.1	14.6	1315 2315	21315 23315	H315 HE315 H2315 HE2315	SR160x14 SR160x10	2 1	
SN615	170	345	100	35	68	112	145	212	290	22	32	72	89	6	8.1	17.1	1316 2316	21316 23316	H316 HE316 H2316 HE2316	SR170x14.5 SR170x10	2 1	
SN616	180	380	110	40	70	112	155	218	420	26	35	77	94	6	8.1	18.7	1317 2317	21317 23317	H317 HE317 H2317 HE2317	SR180x14.5 SR180x10	2 1	
SN617	190	400	110	33	74	112	160	230	350	26	35	82	99	6	8.1	24.1	1318 2318	22318	H318 HE318 H2318 HE2318	SR190x15.5 SR190x10	2 1	
SN618	200	420	120	36	77	125	170	245	390	26	35	87	104	6	9.3	25.5	1319 2319	22319	H319 HE319 H2319 HE2319	SR200x16 SR200x10	2 1	
SN619	215	420	120	38	83	140	175	280	450	26	38	92	111	7	10.8	31	1320 2320	22320	H320 HE320 H2320 HE2320	SR215x18 SR215x10	2 1	
SN620	240	460	130	40	90	150	190	300	470	28	42	102	125	8	10.7	41.4	1322 2322	22322	H322 HE322 H2322 HE2322	SR240x20 SR240x10	2 1	
SN624	260	540	160	50	96	160	205	325	520	33	42	113	135	8	10.7	54.6	2324	2324	H2324 HE2324	SR260x10	1	
SN626	280	560	160	50	103	170	215	350	560	33	45	118	140	8	12.2	67.2	2326	2326	H2326 HE2326	SR280x10	1	
SN628	300	630	170	55	112	180	235	375	580	35	45	128	154	9	12.2	92.6	2328	2328	H2328 HE2328	SR300x10	1	
SN630	320	680	180	55	118	190	245	395	580	35	52	138	164	9	12.2	101.5	2330	2330	H2330 HE2330	SR320x10	1	
SN632	340	710	190	60	124	200	255	415	580	42	52	143	173	10	13.7	122.3	2332	2332	H2332 HE2332	SR340x10	1	